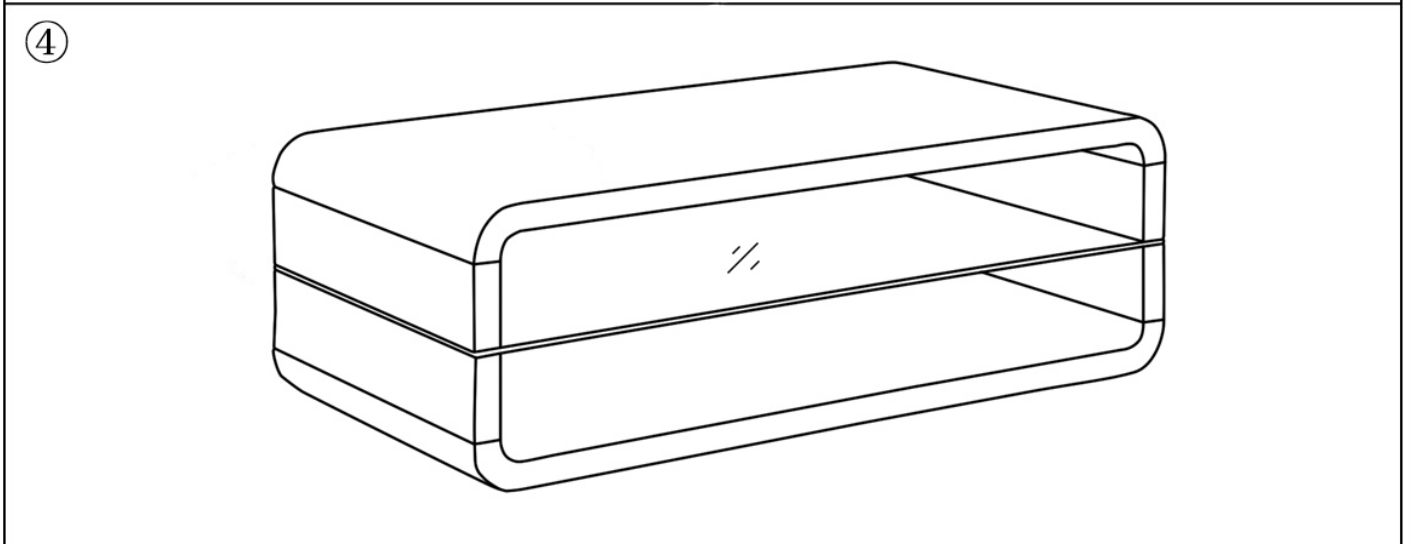
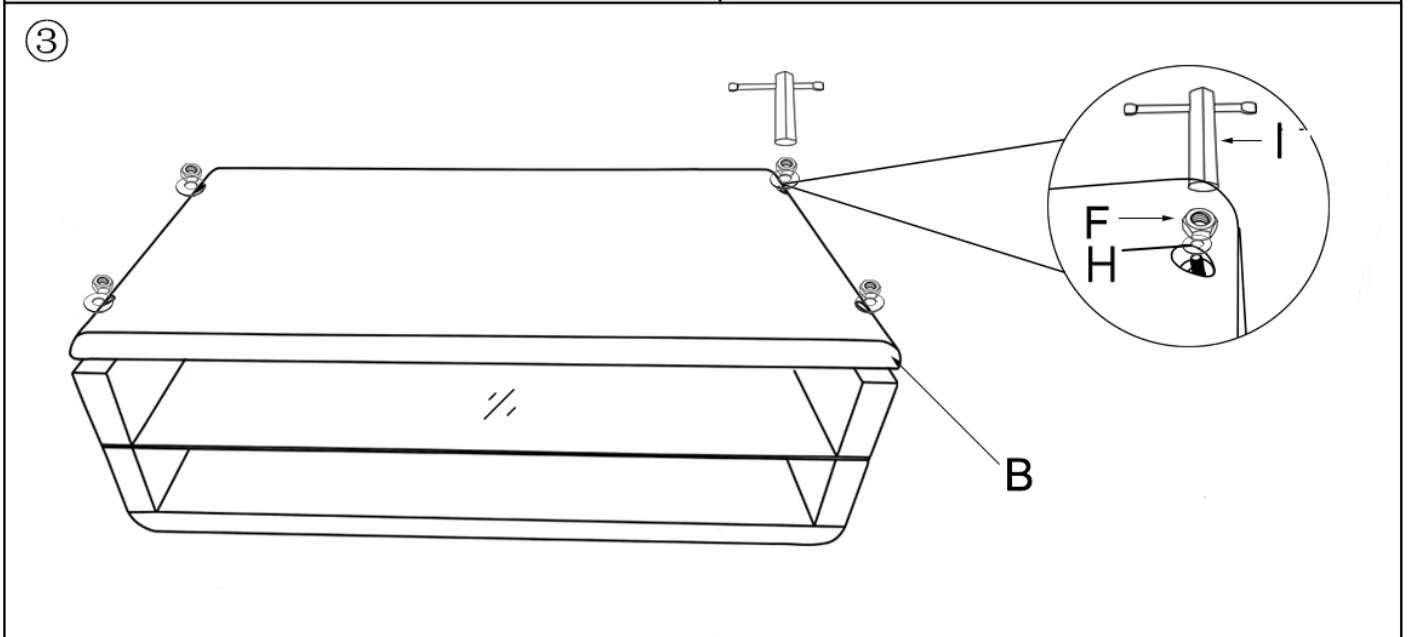
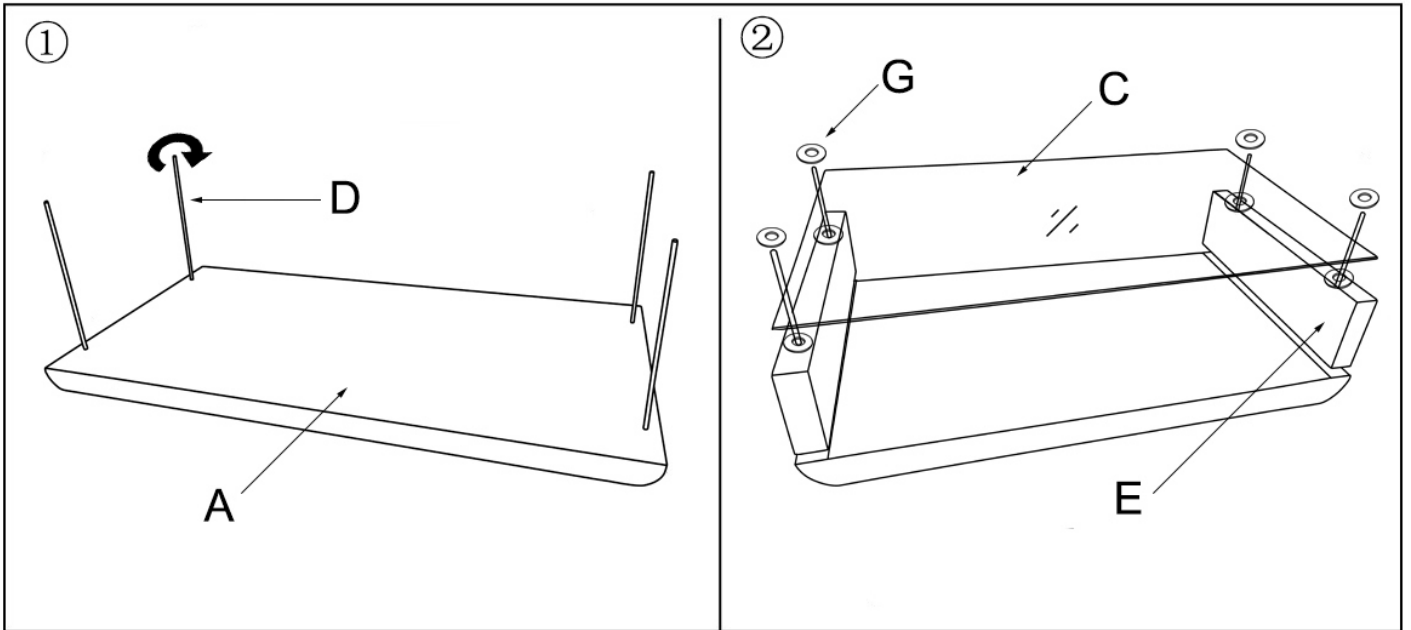


GOLMER



A x 1	B x 1	C x 1	D x 4	E x 4	F x 4	G x 8	H x 1	I x 1